

SMT Shielded Power Inductors - SDC4D38 SERIES

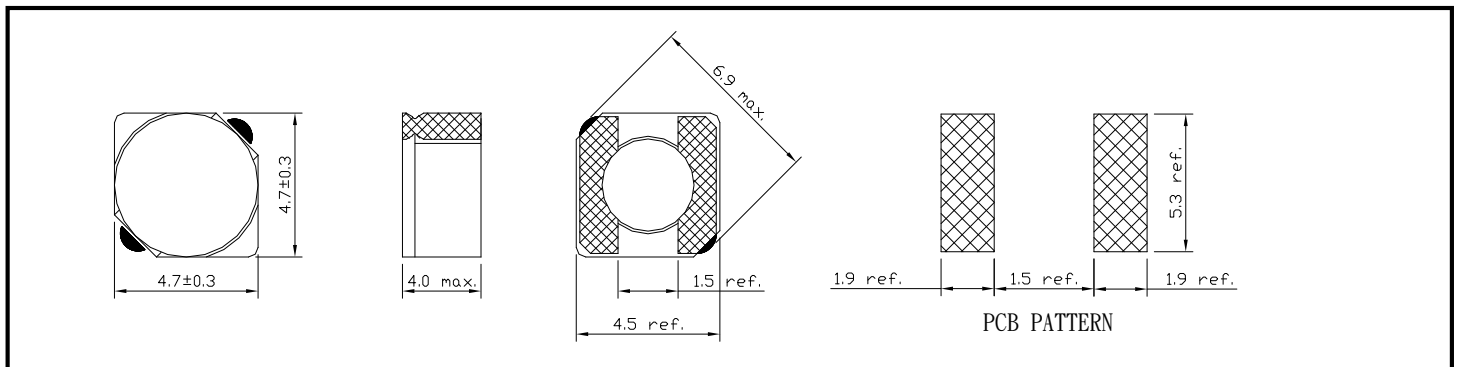


PART NUMBERING SYSTEM

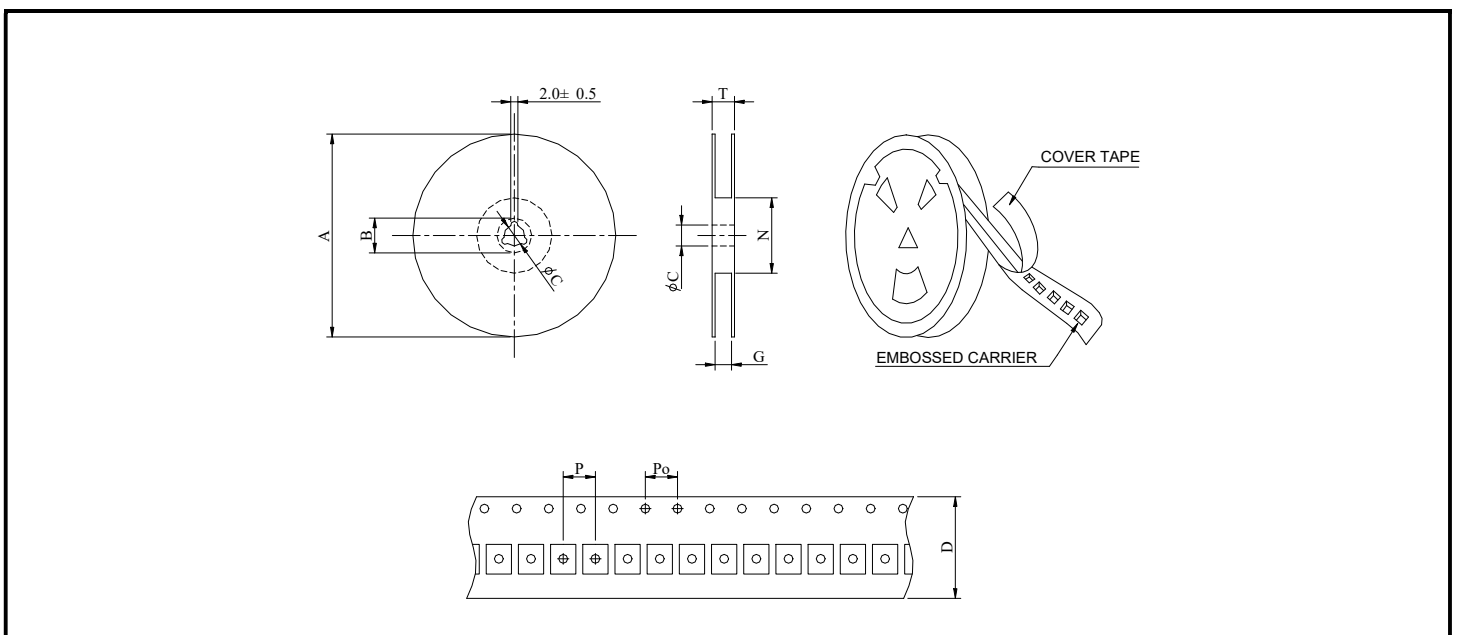
SDC	4D38	—	330M	—	LF
TYPE	DIMENSIONS		INDUCTANCE		LEAD FREE

SHAPES AND DIMENSIONS

UNIT : mm



PACKAGING SPECIFICATION



SERIES	STAYLE	Q' TY (PCS)	DIMENSIONS (m/m)								
			A	B±0.8	C±0.5	D	G ⁺⁰	N ⁰	P	Po	T
SDC4D38	13-16	2000	330	21	13	16	18	50	8	4	22.4

SMT Shielded Power Inductors - SDC4D38 SERIES



SPECIFICATION TABLE

PART NUMBER	INDUCTANCE (μ H)	DCR (m Ω) (Max.)	DCR (m Ω) (Max.)	Isat(A) (Max.)	Irms(A) (Max.)
SDC4D38-R22N-LF	0.22 \pm 30%	14.0	12.0	13.0	5.00
SDC4D38-R39N-LF	0.39 \pm 30%	16.0	13.5	9.30	4.20
SDC4D38-R56N-LF	0.56 \pm 30%	17.0	15.0	8.10	3.80
SDC4D38-R82N-LF	0.82 \pm 30%	20.0	17.0	7.10	3.40
SDC4D38-1R0N-LF	1.0 \pm 30%	22.0	19.0	6.50	3.30
SDC4D38-2R2N-LF	2.2 \pm 30%	30.0	26.0	4.60	3.00
SDC4D38-3R3N-LF	3.3 \pm 30%	36.0	31.0	3.60	2.60
SDC4D38-4R7N-LF	4.7 \pm 30%	52.0	45.0	3.20	2.20
SDC4D38-6R8N-LF	6.8 \pm 30%	59.0	51.0	2.70	2.00
SDC4D38-8R2N-LF	8.2 \pm 30%	81.0	70.0	2.20	1.75
SDC4D38-100N-LF	10 \pm 20%	94.0	82.0	2.10	1.65
SDC4D38-150N-LF	15 \pm 20%	136	118	1.70	1.40
SDC4D38-220M-LF	22 \pm 20%	213	185	1.40	1.10
SDC4D38-330M-LF	33 \pm 20%	298	259	1.20	0.90
SDC4D38-470M-LF	47 \pm 20%	351	305	1.05	0.80
SDC4D38-560M-LF	56 \pm 20%	481	418	0.90	0.70
SDC4D38-680M-LF	68 \pm 20%	700	608	0.85	0.60
SDC4D38-820M-LF	82 \pm 20%	750	689	0.80	0.58
SDC4D38-101M-LF	100 \pm 20%	850	770	0.68	0.52

- Isat : DC current at which the inductance drops 35% (typ) from its value without current.
- Irms: The actual current when temperature of coil becomes $\Delta 40^{\circ}\text{C}$. ($T_a = +25^{\circ}\text{C}$)
- Operating temperature range -40°C to $+125^{\circ}\text{C}$, Electrical specifications at 25°C .